

O'Pro Small & O'Pro Slim

ROUND-SHAPED CLASSIC POINT-OF-USE WATER HEATER
WITH ABOVE & UNDER SINK CONFIGURATIONS



+ PRODUCT

COMFORT

- Compact & user-friendly water heater to fit in small spaces
 - O'Pro Small: 2 configurations, above & under sink
 - O'Pro Slim: Small diameter (338 mm) water heater with above sink configuration
- Control knob on the bottom of the tank for O'Pro Slim & Small above sink, on the top of the tank for O'Pro Small under sink

QUALITY - DURABILITY

- Long tank lifetime thanks to O'Pro exclusive anti-corrosive system
- Magnesium anode for strengthened tank protection
- New generation diamond-quality enamel (glass-lined tank)
- Pressure relief valve
- Dielectric union
- Specific lip gasket to avoid corrosion around flange

USER-FRIENDLINESS

- IP 24 - full compliance with European standards for electrical safety and user protection for O'Pro Small above sink and O'Pro Slim
- IP 25 - full compliance with European standards for electrical safety and user protection for O'Pro Small under sink
- Plug*
- Heating light indicator

SAVINGS

- Mechanical thermostat with integrated security
- High-efficiency water inlet
- CFC-free high-density insulation for more energy savings

ELECTRIC WATER HEATER

10 TO 15 L

(VERTICAL WALL-MOUNTED ABOVE AND UNDER SINK)

30 TO 50 L

(SLIM VERTICAL WALL-MOUNTED)



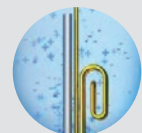
Model available**



Bottom control knob



Anti-corrosive technology

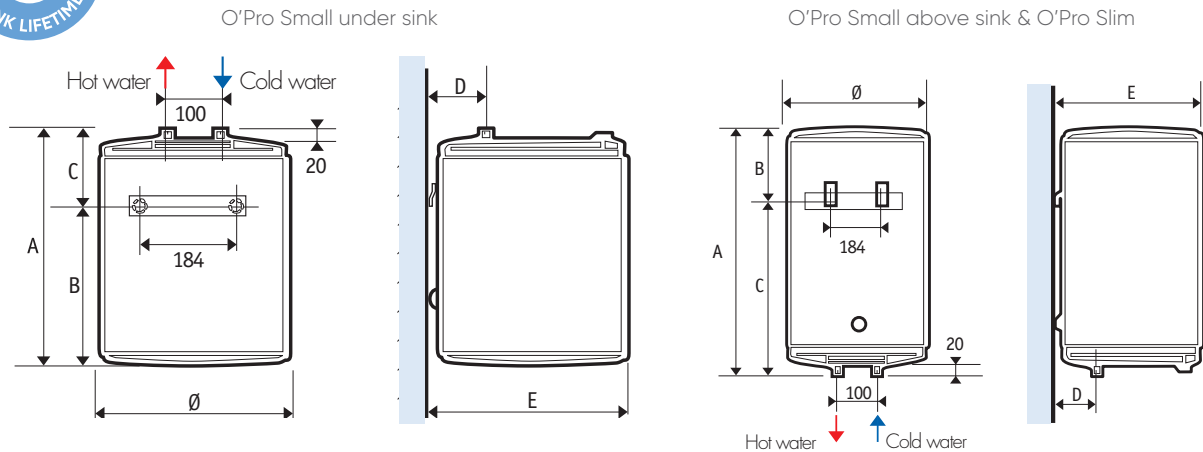


Copper heating element

O'Pro Small & O'Pro Slim



INSTALLATION DIMENSIONS



TECHNICAL DATA

CAPACITY (L)	OUTPUT (W)	VOLTAGE (V)	HEAT-UP TIME AT 60°C (ΔT=20°C) (min)	HEAT-UP TIME AT 60°C (ΔT=50°C) (min)	ENERGY CONSUMPTION kWh/24 h AT 65°C
O'Pro Small Vertical wall-mounted					
O'Pro Small above sink					
10	1600	230 (220/240)	10	24	0.48
15	1600	230 (220/240)	14	35	0.58
O'Pro Small under sink					
10	2000	230 (220/240)	8	19	0.63
15	2000	230 (220/240)	11	28	0.66
O'Pro Slim Vertical wall-mounted					
30	2000	230 (220/240)	23	57	0.76
50	2000	230 (220/240)	38	1h36	1.13

DIMENSIONS

CAPACITY (L)	DIMENSIONS (mm)						FLANGE OPENING (Ø) mm	NET WEIGHT (Kg)	ERP ENERGY CLASS	PROFILE
	Ø	A	B	C	D	E				
O'Pro Small Vertical wall-mounted										
O'Pro Small above sink										
10	255	456	174	282	65	262	72	6.5	A	XXXS
15	338	400	168	232	83	347	72	7.5	B	XXS
O'Pro Small under sink										
10	255	456	235	220	65	262	72	6.5	B	XXS
15	338	400	232	167	83	347	72	7.5	B	XXS
O'Pro Slim Vertical wall-mounted										
30	338	617	150	466	83	347	72	11.5	C	S
50	338	905	162	742	83	347	72	14.5	C	M